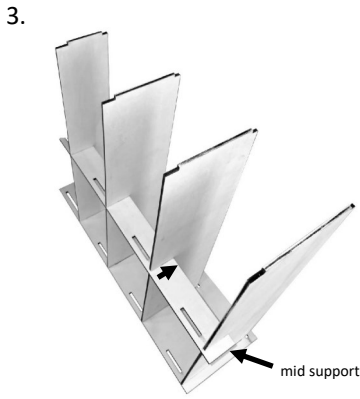


Place one side on a table or worktop



Slot the shelves into the cut slots - make sure that the slot in the middle of each shelf is facing back



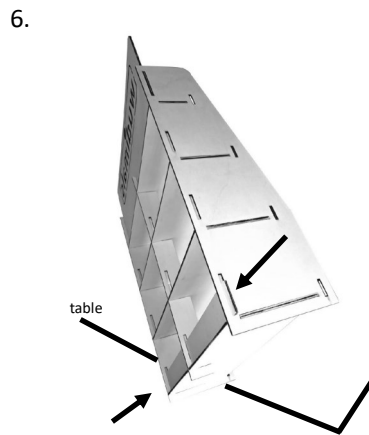
Slot the mid support into each of the shelves



Add the logo board by slotting it into the top of the mid support and into the slot on the side piece. At this point make sure all shelves are still in their slots



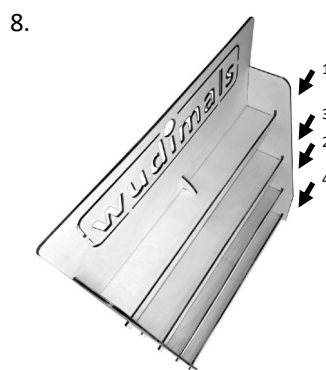
Put the other side piece on top - you may have to gently tease the shelves/ logo board into the slots



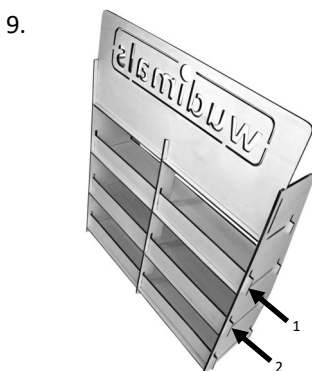
Move the unit so that the bottom back corner slot is hanging free over the side of the table. Insert one of the rear supports through all 3 slots and gently work down until level with the bottom shelf



The unit is now stable enough to lift and stand up



Add the 4 front supports (in the order shown) by sliding through the slots from one side. They should lock into place leaving a small ridge showing above the edge of the shelf



Turn the unit around and add the final 2 back supports in the order shown



Your unit should now be complete. It can be left natural (wipe with a dry linen free cloth) or can be painted, oiled or varnished (always treat both sides of the wood)

DE: Anleitung online verfügbar – QR-Code scannen | ES: Instrucciones disponibles online en español - escanea el código QR

FR: Mode d'emploi disponible en ligne en français - scannez le QR code | PT: Instruções disponíveis online em português - digitalizar o código QR

IT: Istruzioni disponibili online in italiano - scansiona il codice QR | JP: 日本語の設置手順は、QRコードをスマートフォンで読み取ります